

T5 INSERT

T5 INSERT CLASSIC

INSERT
FOR MEDIUM SPACES

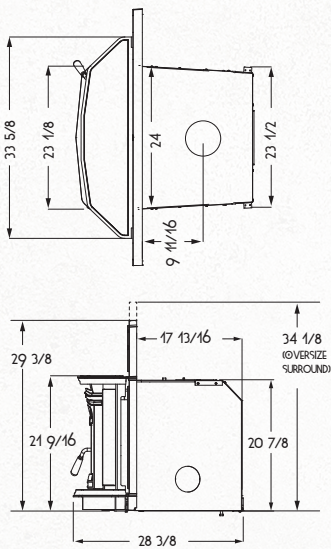
Heat Output Cord Wood

72,000 BTU

34,600 BTU EPA Test Fuel

EFFICIENCY (LHV)	80.7%
EMISSIONS	3.4 GM/HR.
LOG SIZE (MAX)	18 IN.
FIRBOX SIZE	2.2 CU.FT.
GLASS SIZE	196 SQ.IN.
WEIGHT	345 LBS.

The Alderlea cast iron over steel insert allows you to transform your fireplace into an efficient heating system with traditional cast iron styling. Like all Pacific Energy inserts, it's easy to light, easy to use, and provides a clear view of the flame. With a variable speed fan, clean-glass airwash technology and heavy-gauge overbuilt construction, the T5 Insert will provide many years of comfort and enjoyment.



ALDERLEA T5



ALDERLEA T5 CLASSIC

STANDARD FEATURES

- Reliable, durable non-catalytic technology
- Floating firebox for extended stove life
- Airwash Technology for clear, clean glass
- Safe, easy straight-in loading
- Single-Lever Air Control
- 304 Stainless Steel Baffle, insulation cover, rails and flame shield
- Inside and outside combustion air capable
- 2x80 cfm temperature-actuated variable-speed blowers
- Metallic black cast iron finish (T5 Insert)
- North-South loading

DESIGN OPTIONS

- T5 Classic Insert: Majolica, Ebony or Ivory porcelain enamel finish
- Surround top: standard or oversize
- Standard Surround Top (42 1/2"W x 30 3/8" H)
- Oversized Surround Top (42 1/2"W x 34 1/8" H)

CAST IRON OVER STEEL

AIR WASH
A POWER BY PACIFIC ENERGY

BAFFLE SYSTEM

FLOATING FIREBOX

KNIFE EDGE DOOR

SINGLE LEVER
AIR CONTROL



For reference only. Installations should be based on installation manuals. Specifications subject to change.