

SUPER 27 SUPER CLASSIC

FREESTANDING STOVE FOR MEDIUM SPACES

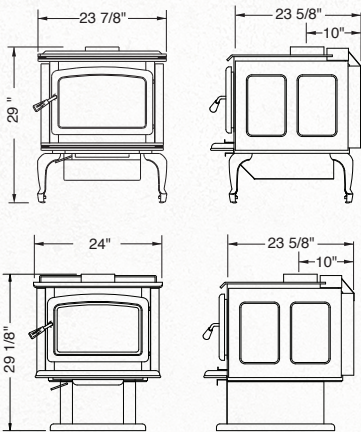
Heat Output Cord Wood
72,000 BTU

34,600 BTU EPA Test Fuel

EFFICIENCY (LHV)	81.6%
EMISSIONS	3.4 GM/HR.
LOG SIZE (MAX)	18 INCHES
FIREBOX SIZE	2.1 CU.FT.
GLASS SIZE	134 SQ.IN.

WEIGHT

SUPER 27	337 LB.
SUPER CLASSIC	340 LB.



Our most popular woodburning stove, the Super 27 delivers superb heating performance, easy loading and operation, and reliability. Customize your Super 27 to complement your home: mount it on a pedestal, choose from a variety of leg finishes, and select the door style and finish.



SUPER 27



SUPER CLASSIC

FEATURES

- EPA Certified
- Reliable, durable non-catalytic technology
- Air wash system for super clean ceramic glass
- High-tech multi-port combustion air injection system
- Inside and outside combustion air capable
- Floating firebox for extended stove life
- Easy and safe front to back fuel loading
- Rich Metallic Black finish
- Heavy plate-steel top
- 304 Stainless Steel baffle, insulation cover, rails and flame shield
- Boost air for easy lighting
- Mobile home approved
- Single-Lever Air Control

DESIGN OPTIONS

- SUPER27**
- Legs: choice of three finishes
- Pedestal base
- Arched door: choice of three finishes
- Metallic black finish
- SUPER CLASSIC**
- Legs: choice of three finishes
- Arched door: choice of three finishes
- Porcelain enamel: choice of three colors
- Decorative trivet: choice of two finishes

PERFORMANCE OPTIONS

- Easy-to-use ash disposal system (optional on Super; included with Super Classic)
- 125 cfm Temperature-Actuated Variable-Speed Blower



METALLIC BLACK

EBONY

IVORY

SUNSET RED

For reference only. Installations should be based on installation manuals. Specifications subject to change.