

MIRAGE 18

FREESTANDING GAS STOVE FOR SMALL TO MEDIUM SPACES

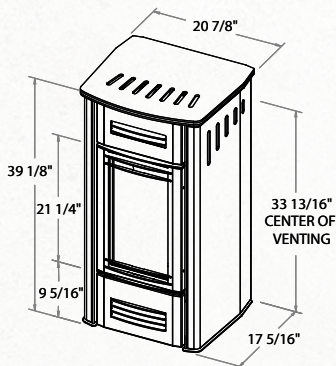
Natural Gas

18,000 BTU

18,000 BTU Liquid Propane

P.4.1-15 EFFICIENCY NG	70.9%
P.4.1-15 EFFICIENCY LP	70.9%
AFUE NG	74%
AFUE LP	74%
GLASS SIZE	180 SQ.IN.

Inside and out, the Mirage 18 is engineered to provide powerful, efficient heat for your home. Large aluminum-finned heat exchangers result in high performance heating efficiency while highly reflective titanium porcelain baffles and insulated interior firebox panels maximize temperature convection. A unique ground level convection output provides optimum air circulation and heat distribution. As the hot air rises and circulates, it creates a consistent floor-to-ceiling temperature zone. Standard features include one-touch programmable remote controls to simplify operation; heat output and flame height is variable, allowing complete control over heating, comfort, and appearance.



For reference only. Installations should be based on installation manuals. Specifications subject to change.



AVAILABLE BURNERS

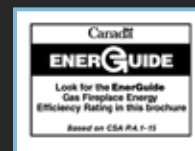


FEATURES

- Direct Vent Technology
- SIT Pro Flame 2 valve
- Full Flames
- Ground Level Heat Output
- High-Efficiency Heat Exchanger with Aluminum Fins
- Black Porcelain interior panels
- 110 CFM Blower
- Integrated Micro-Mesh Safety Screen
- Standard Remote Control
- Minimal Vertical Venting
- Leveling Legs
- Mobile home approved

DESIGN OPTIONS

- Design-A-Fire
- Porcelain Steel Cladding in 4 colour options
- Burner: Logset or Glass



EBONY

IVORY

SUNSET RED

TITANIUM